



Wes Gordon Sun

Silhouette[®]
AUTHENTIC EYEWEAR. SINCE 1964.





Wes Gordon



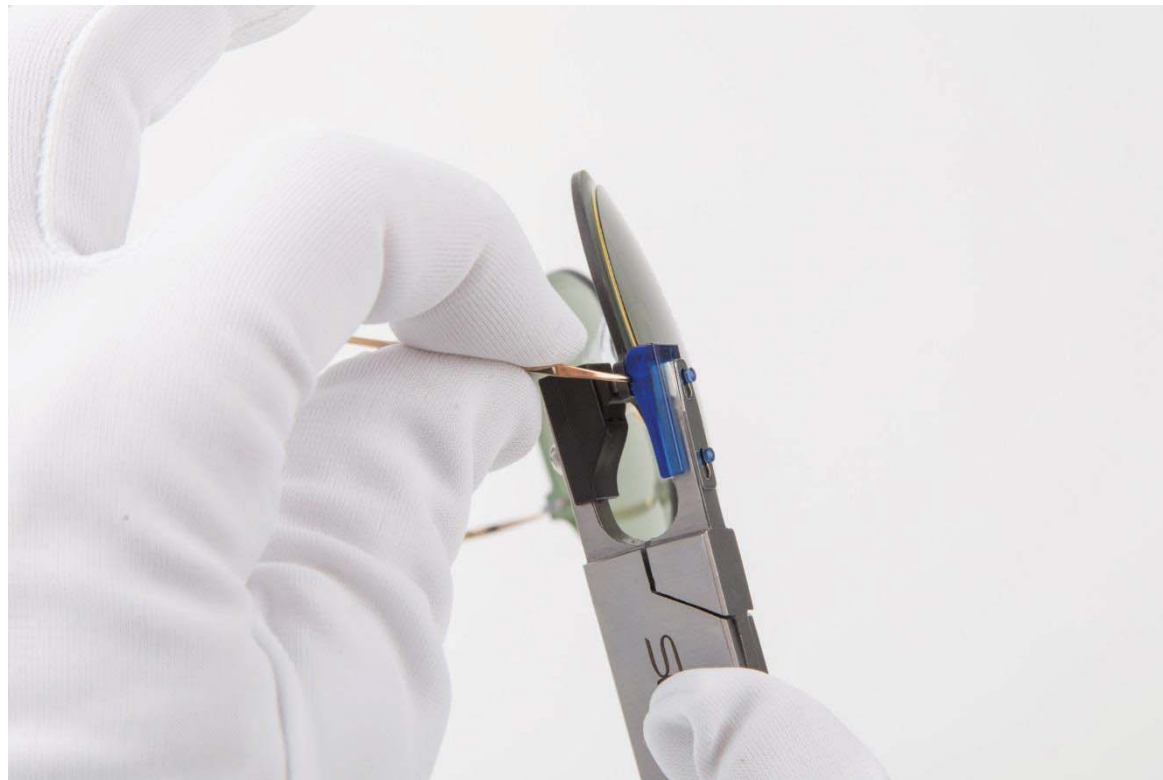
Glazing | Wes Gordon

- No RX- glazing possible due to lens design
- Exchange plano lenses is no problem with Silhouette plier blue and BLS 58, BLS 40



BLS 58 STANDARD	BLS 40 „soft“
Standard Glazing 	only TMA MUST / TNG 
Lens size 2,0 - 6,5 mm	2,0 - 6,5 mm
	
∅ 1,4 mm	∅ 1,4 mm

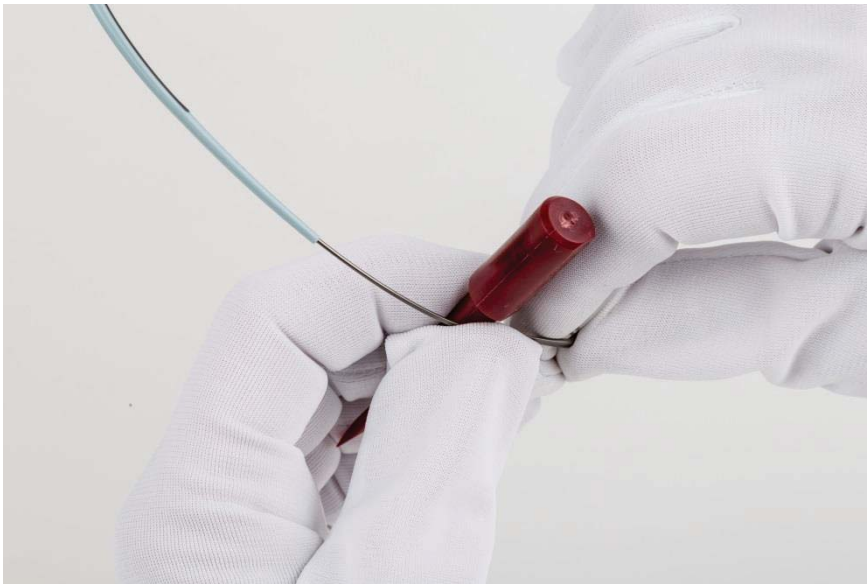
Inclination | Wes Gordon



hold the glasses with a plier and bend the temple in the requested direction

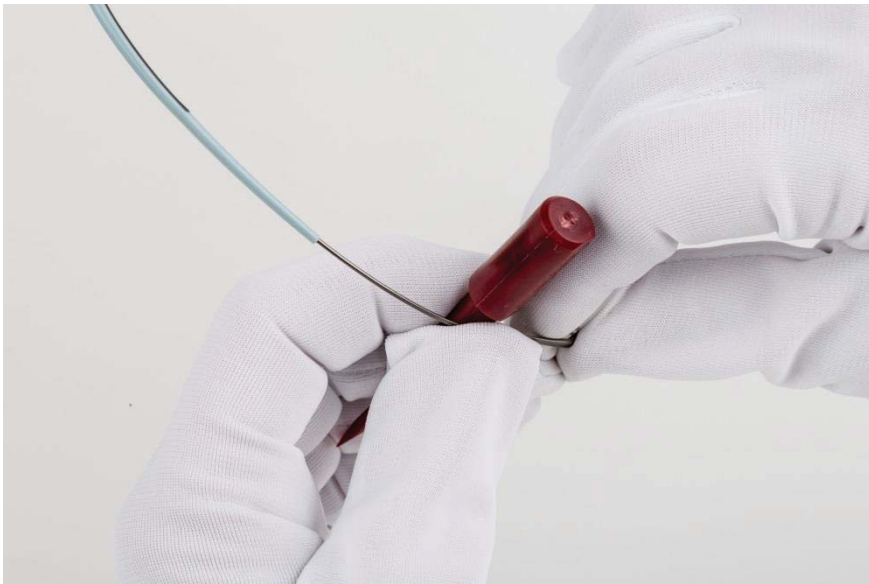
Temple opening | Wes Gordon

Enlarge

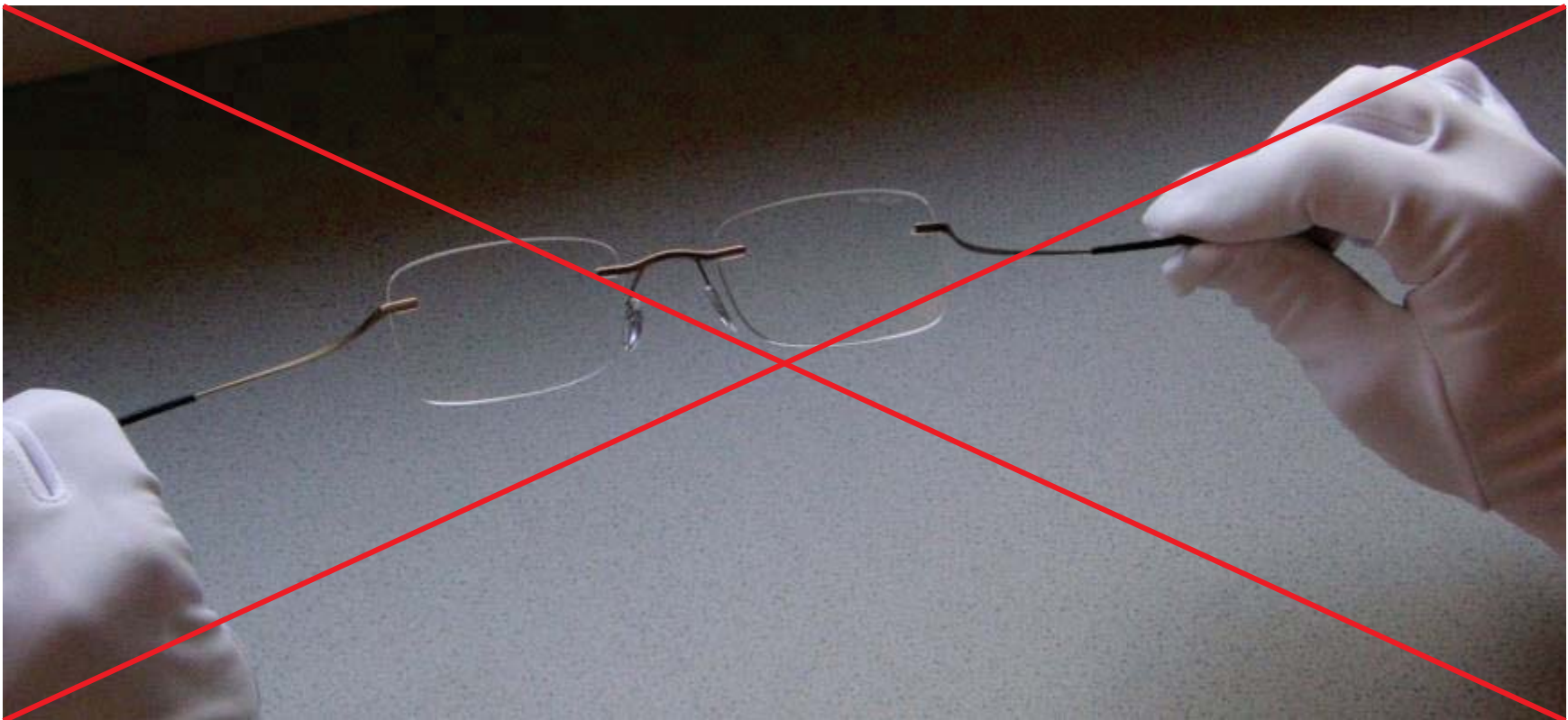


Temple opening | Wes Gordon

Reduce



Care | Please don't do it like this!



1. In no case titanium temple may be overstretched or twisted!
2. Microscopic ruptures might cause temple breakages.