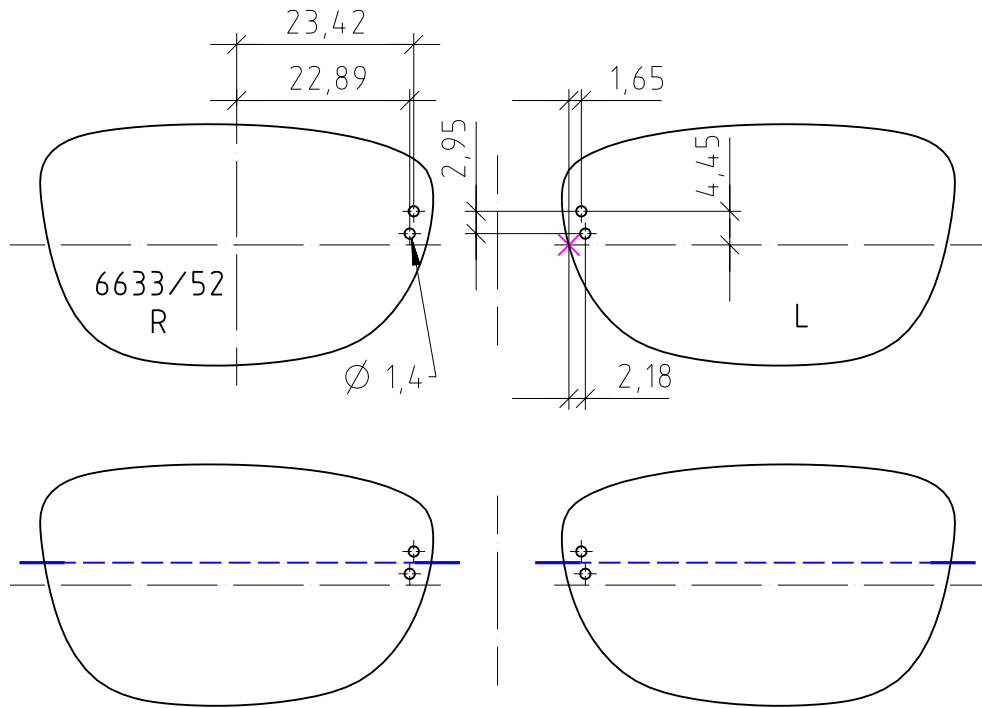


# Silhouette®



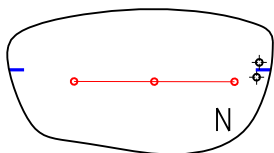
Attention :



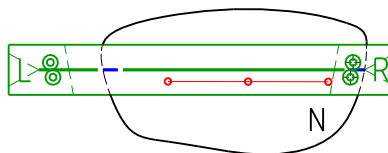
Please check length

× = Reference Point

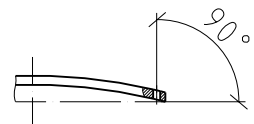
## INSTRUCTIONS



Marked Lens



Drilling Jig affixed NASAL



Drilling angle