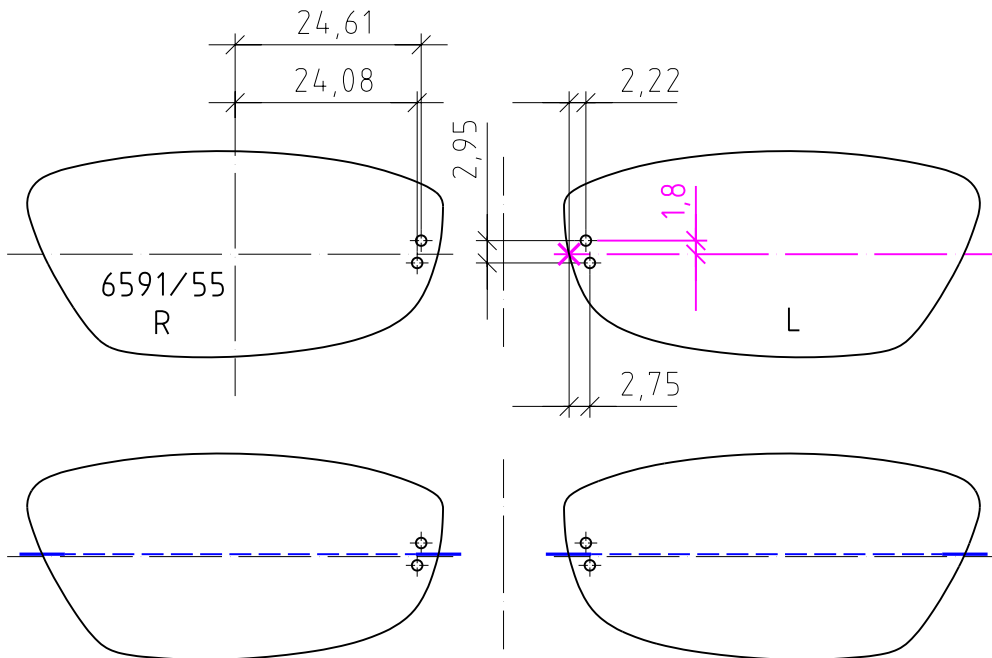
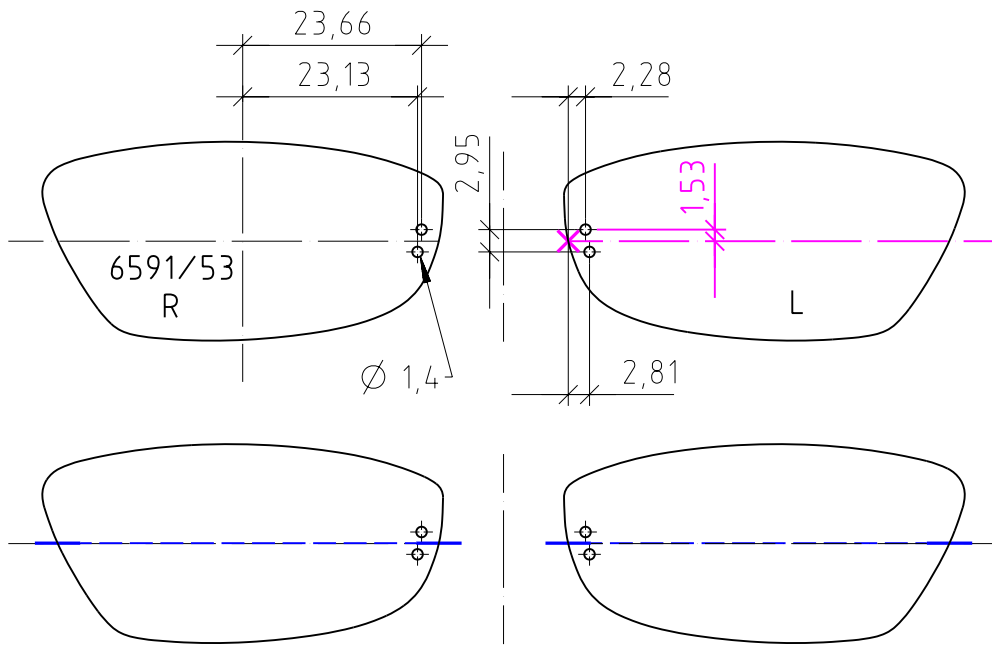


# Silhouette®



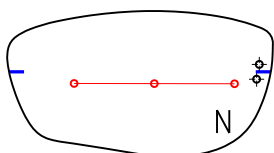
Attention :



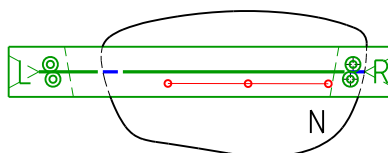
Please check length

X = Reference Point

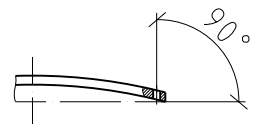
## INSTRUCTIONS



Marked Lens



Drilling Jig  
affixed NASAL



Drilling angle