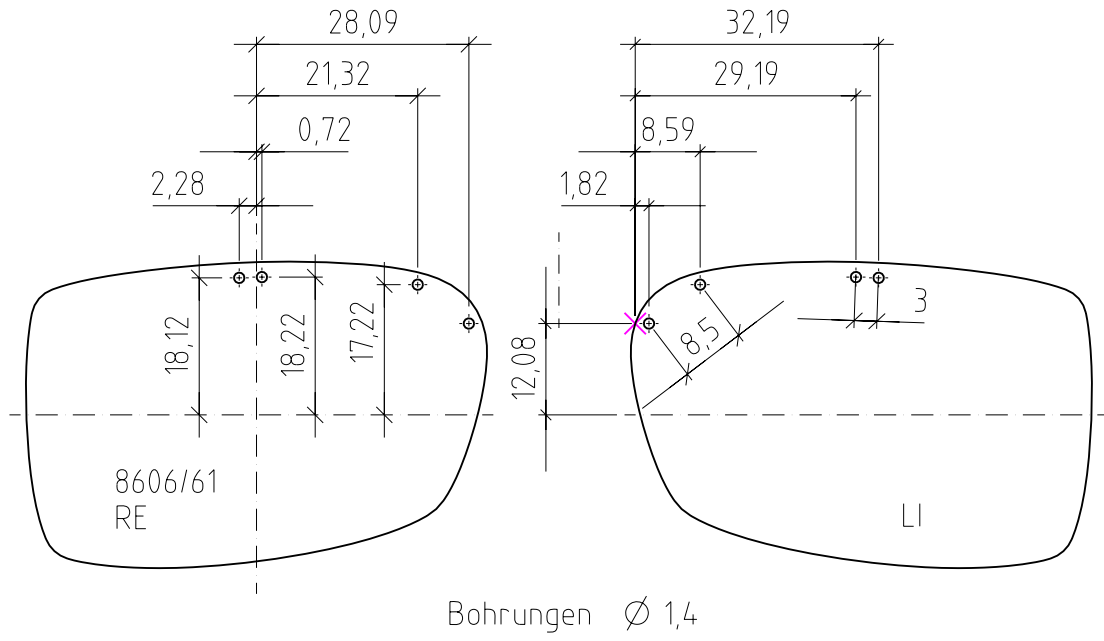
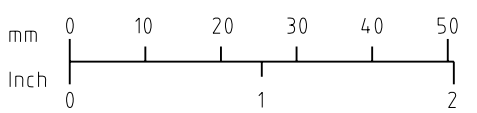


Silhouette®



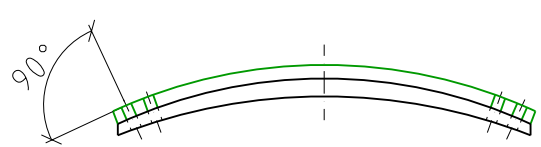
Attention :



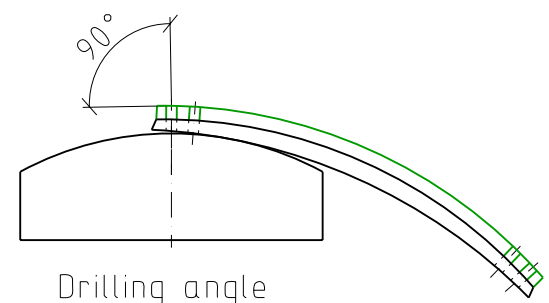
Please check length

X = Reference Point

INSTRUCTIONS



Affixed drilling Jig



Drilling angle