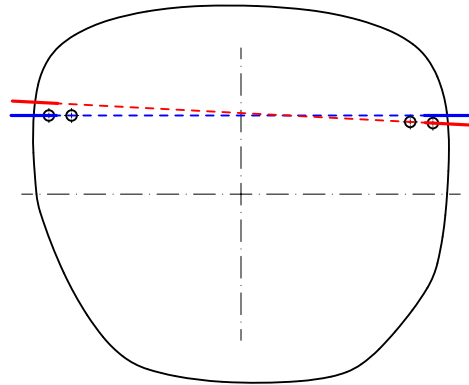
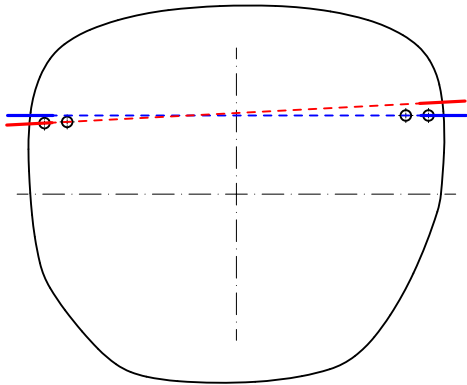
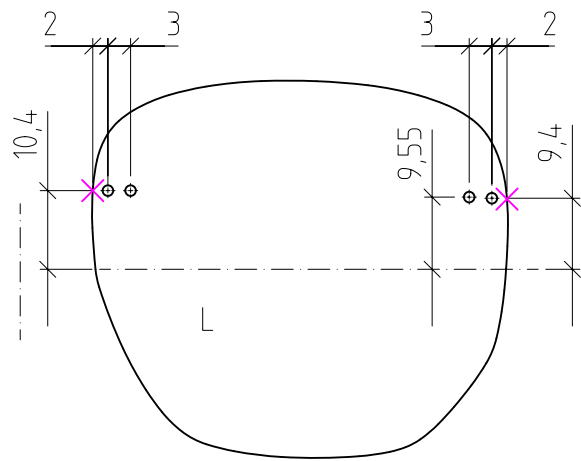
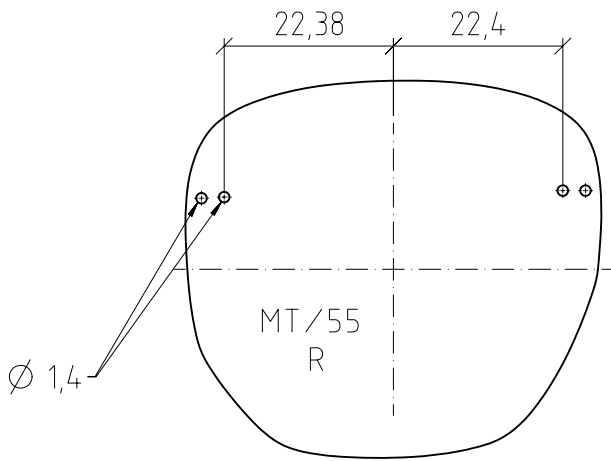
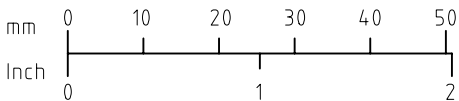


Silhouette



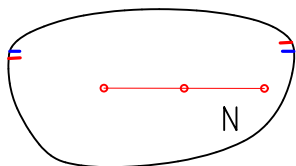
Attention :



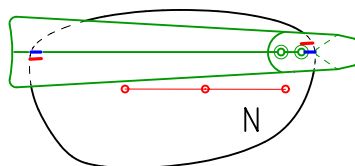
Please check length

× = Reference Point

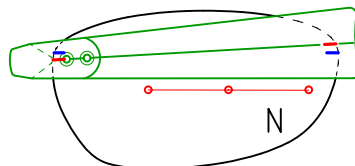
INSTRUCTIONS



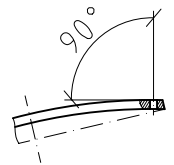
Marked Lens



Drilling Jig
affixed NASAL



Drilling Jig
affixed TEMPORAL



Drilling angle