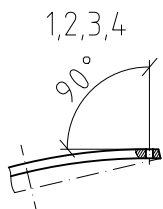
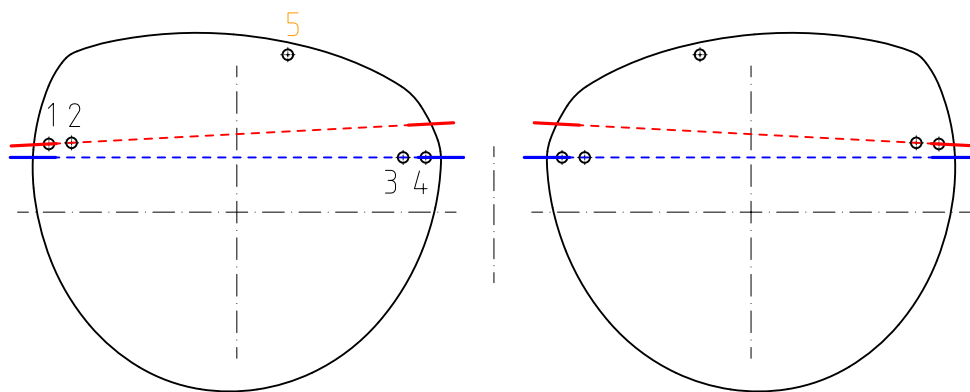
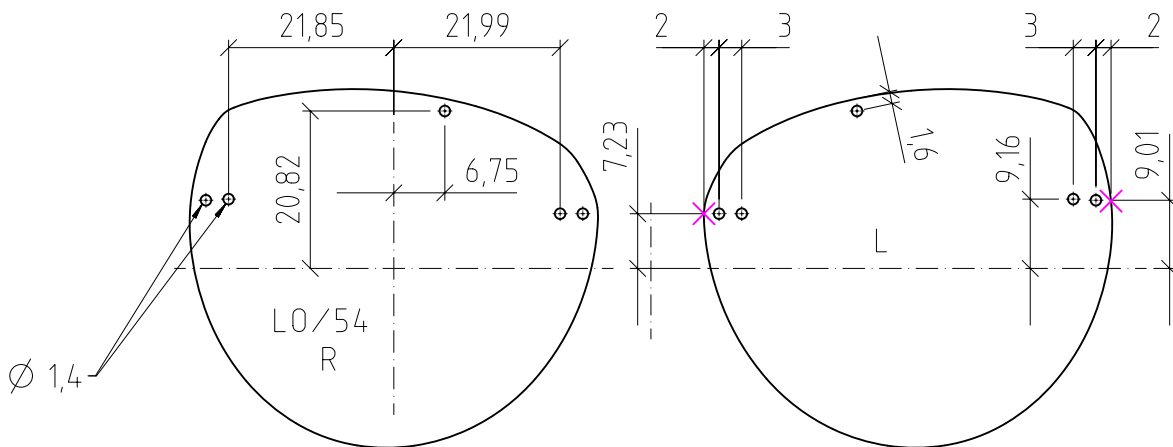
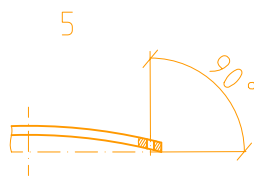


Silhouette

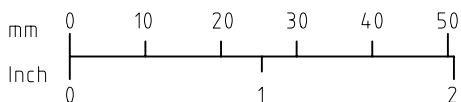


Drilling angle
normal to front surface



Drilling angle
parallel to glas axis

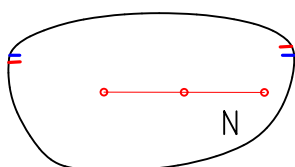
Attention :



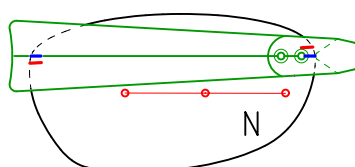
Please
check length

X = Reference Point

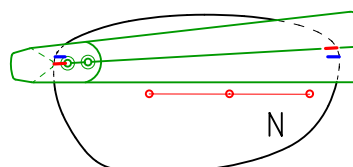
INSTRUCTIONS



Marked Lens



Drilling Jig
affixed NASAL



Drilling Jig
affixed TEMPORAL