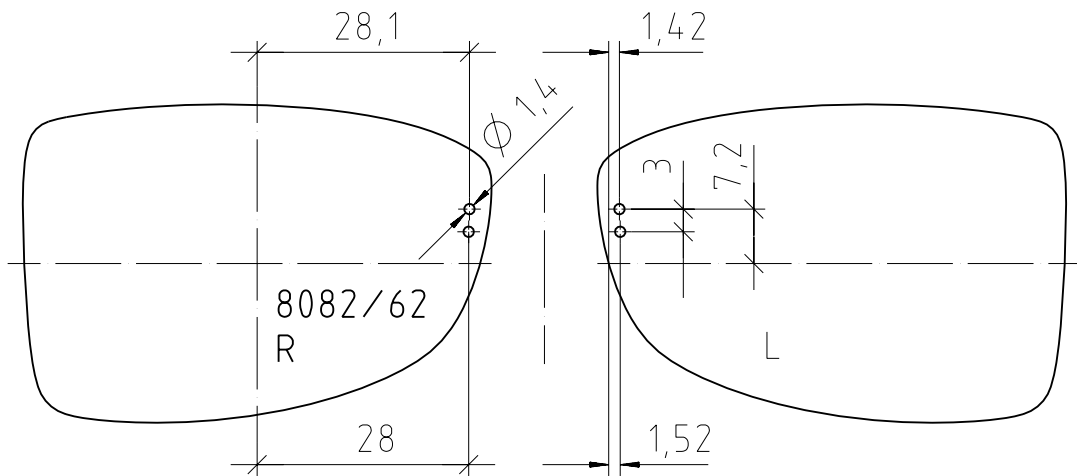
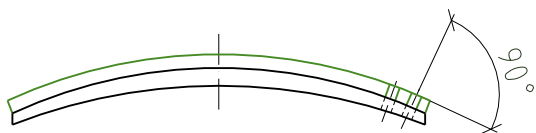


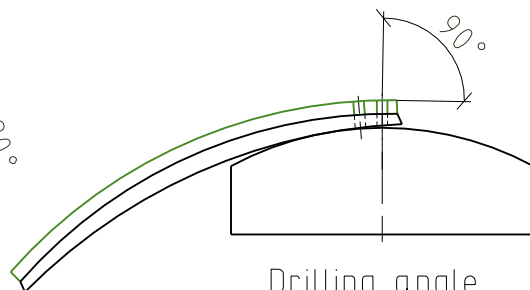
Silhouette®



INSTRUCTIONS



Affixed drilling Jig



Drilling angle