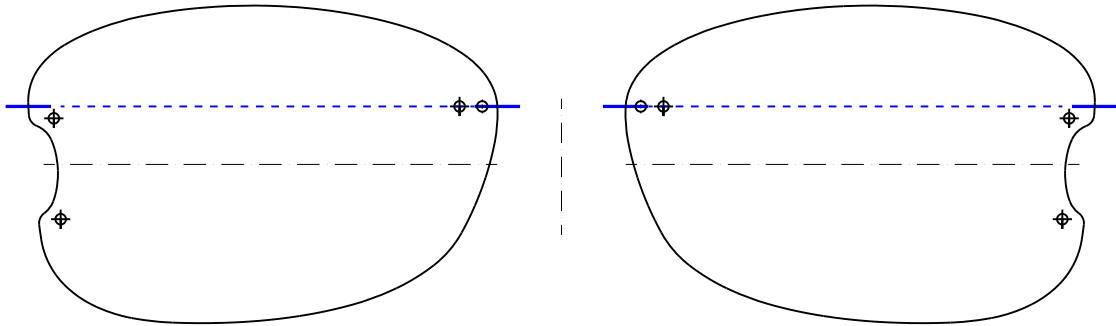
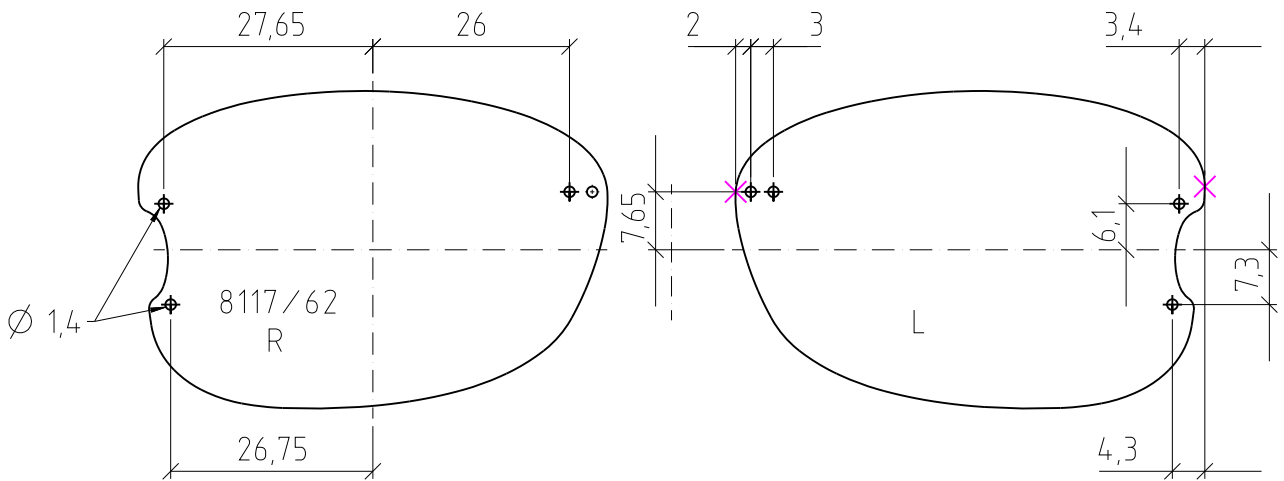
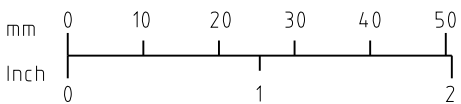


# Silhouette®



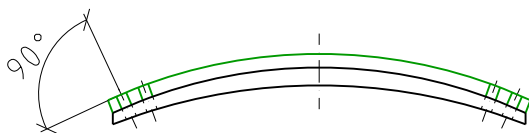
Attention :



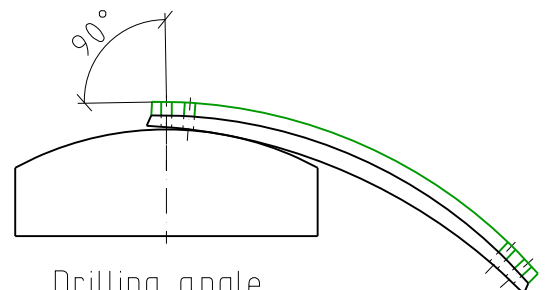
Please check length

X = Reference Point

## INSTRUCTIONS



Affixed drilling Jig



Drilling angle