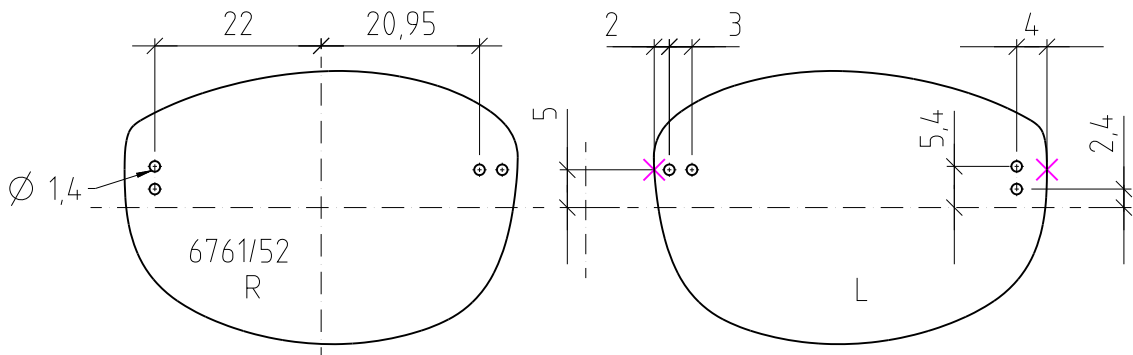
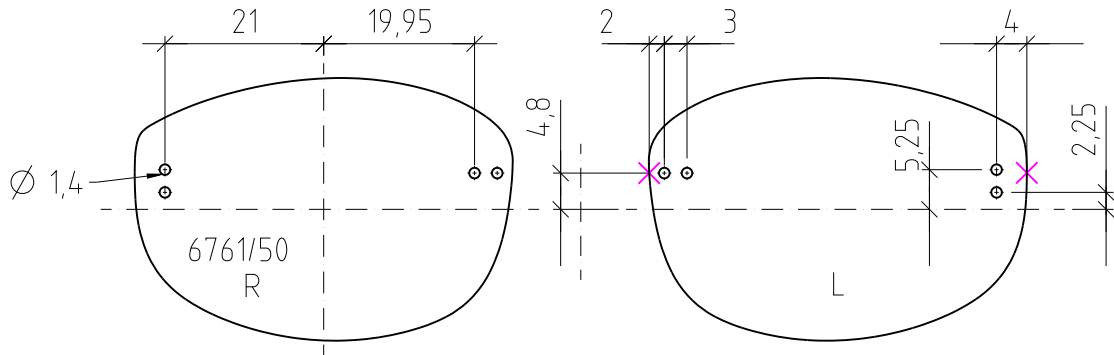
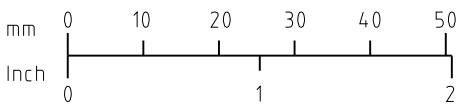


# Silhouette®



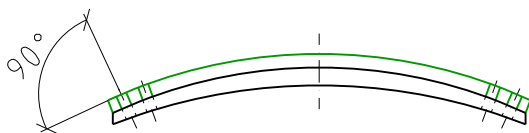
Attention :



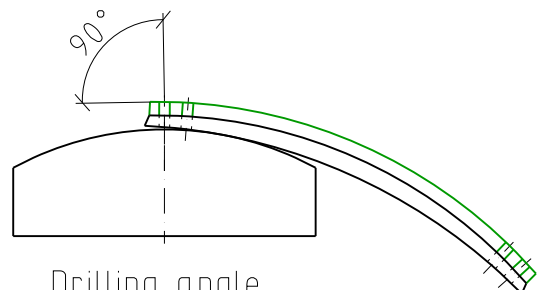
Please check length

× = Reference Point

## INSTRUCTIONS



Affixed drilling Jig



Drilling angle