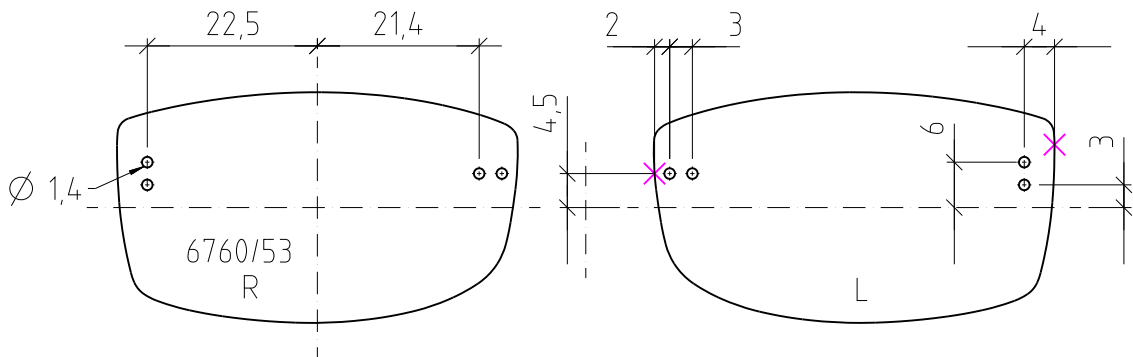
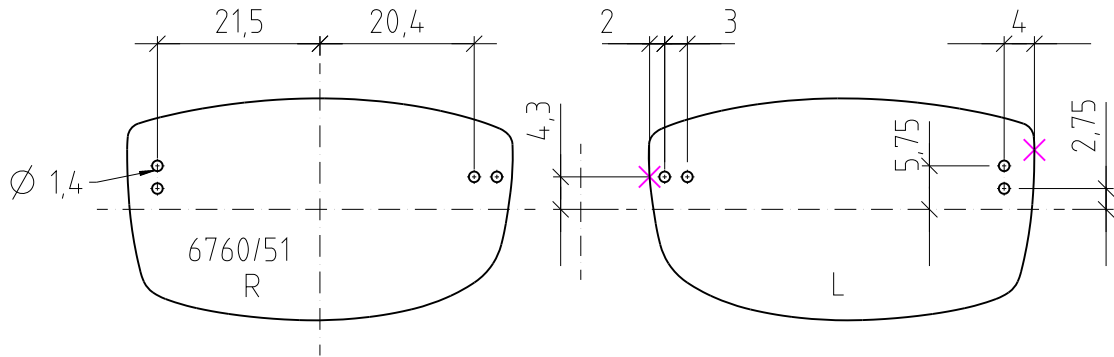
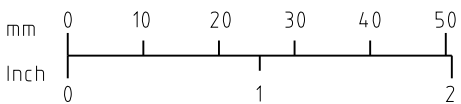


Silhouette®



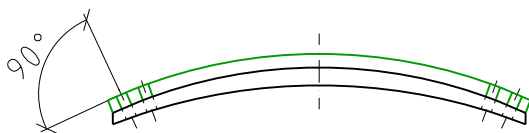
Attention :



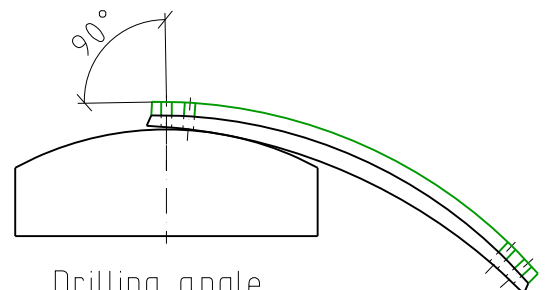
Please check length

× = Reference Point

INSTRUCTIONS



Affixed drilling Jig



Drilling angle